

KUSEL CLASSIC TRENCH DRAINS

T304 Stainless Steel 12 Gauge Body shipped completely welded
Standard Industrial Finish, Welds Sandblasted
Shallow End Depth (C) of 3 5/8 Inches with Two (2) Caps
Pair of Setting Tabs located every 24 inches
"V" Trough Type Sloped of 1/4" per foot (or 1/8" per foot)
Two options for grating

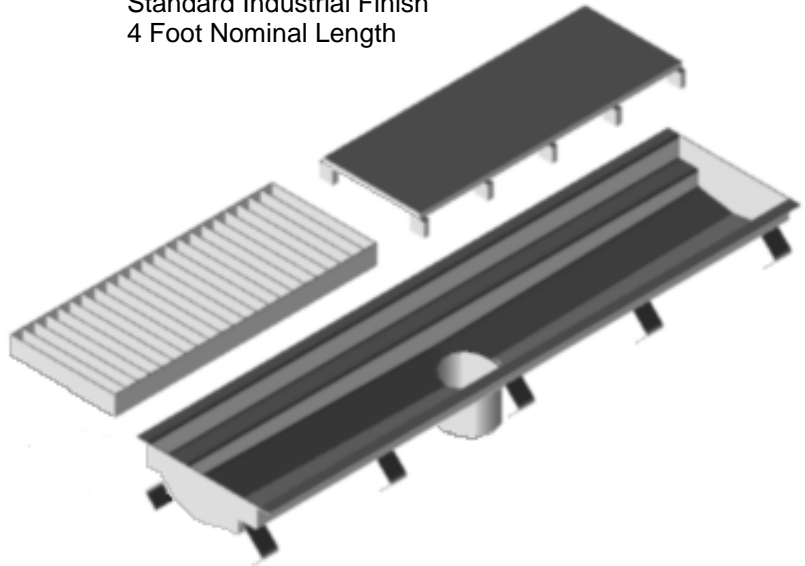
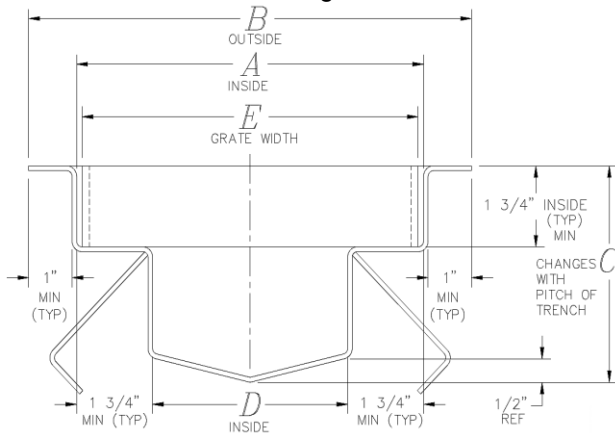


Open Slot Grate

T304 Stainless Steel
10 GA Bearing Bars on 1 1/2" Centers
8 GA Side Banding Bars
Continuous Welds
Standard Industrial Finish
4 Foot Nominal Length

Solid Plate Grating

T304 Stainless Steel
1/2 Inch Solid Plate
1/2 Inch Drain Gap
Continuous Welded Feet
Standard Industrial Finish
4 Foot Nominal Length



Overall Width (B)	Grate Width (E)	Trough Width (D)	Outlet Location	Sch 40 Outlet	Grating Style	4 ft	8 ft	12 ft	16 ft	20 ft	24 ft
9.25	6.75	3.5	Center	3"	Solid	TD4V09DC-034-04Z03JD-S	TD4V09DC-034-08Z03JD-S	TD4V09DC-034-12Z03JD-S	TD4V09DC-034-16Z03JB-S	TD4V09DC-034-20Z03JB-S	TD4V09DC-034-24Z03JB-S
9.25	6.75	3.5	Center	3"	Open	TD4V09DC-034-04Z03JD-O	TD4V09DC-034-08Z03JD-O	TD4V09DC-034-12Z03JD-O	TD4V09DC-034-16Z03JB-O	TD4V09DC-034-20Z03JB-O	TD4V09DC-034-24Z03JB-O
9.25	6.75	3.5	End Bttm	3"	Solid	TD4V09DE-034-04Z03JD-S	TD4V09DE-034-08Z03JB-S	TD4V09DE-034-12Z03JB-S	NA	NA	NA
9.25	6.75	3.5	End Bttm	3"	Open	TD4V09DE-034-04Z03JD-O	TD4V09DE-034-08Z03JB-O	TD4V09DE-034-12Z03JB-O	NA	NA	NA
12	9.5	6.25	Center	4"	Solid	TD4V12ZC-044-04Z03JD-S	TD4V12ZC-044-08Z03JD-S	TD4V12ZC-044-12Z03JD-S	TD4V12ZC-044-16Z03JD-S	TD4V12ZC-044-20Z03JD-S	TD4V12ZC-044-24Z03JD-S
12	9.5	6.25	Center	4"	Open	TD4V12ZC-044-04Z03JD-O	TD4V12ZC-044-08Z03JD-O	TD4V12ZC-044-12Z03JD-O	TD4V12ZC-044-16Z03JD-O	TD4V12ZC-044-20Z03JD-O	TD4V12ZC-044-24Z03JD-O
12	9.5	6.25	End Bttm	4"	Solid	TD4V12ZE-044-04Z03JD-S	TD4V12ZE-044-08Z03JD-S	TD4V12ZE-044-12Z03JD-S	TD4V12ZE-044-16Z03JD-S	TD4V12ZE-044-20Z03JB-S	TD4V12ZE-044-24Z03JB-S
12	9.5	6.25	End Bttm	4"	Open	TD4V12ZE-044-04Z03JD-O	TD4V12ZE-044-08Z03JD-O	TD4V12ZE-044-12Z03JD-O	TD4V12ZE-044-16Z03JD-O	TD4V12ZE-044-20Z03JB-O	TD4V12ZE-044-24Z03JB-O
14.5	12	8.75	Center	6"	Solid	TD4V14HC-064-04Z03JD-S	TD4V14HC-064-08Z03JD-S	TD4V14HC-064-12Z03JD-S	TD4V14HC-064-16Z03JD-S	TD4V14HC-064-20Z03JD-S	TD4V14HC-064-24Z03JD-S
14.5	12	8.75	Center	6"	Open	TD4V14HC-064-04Z03JD-O	TD4V14HC-064-08Z03JD-O	TD4V14HC-064-12Z03JD-O	TD4V14HC-064-16Z03JD-O	TD4V14HC-064-20Z03JD-O	TD4V14HC-064-24Z03JD-O
14.5	12	8.75	End Bttm	6"	Solid	TD4V14HE-064-04Z03JD-S	TD4V14HE-064-08Z03JD-S	TD4V14HE-064-12Z03JD-S	TD4V14HE-064-16Z03JD-S	TD4V14HE-064-20Z03JD-S	TD4V14HE-064-24Z03JD-S
14.5	12	8.75	End Bttm	6"	Open	TD4V14HE-064-04Z03JD-O	TD4V14HE-064-08Z03JD-O	TD4V14HE-064-12Z03JD-O	TD4V14HE-064-16Z03JD-O	TD4V14HE-064-20Z03JD-O	TD4V14HE-064-24Z03JD-O
						Drains with 1/8" per foot slope					

NSF Certified accordance to ASME A112.6.3. Solid cover Certified with load classification of Special duty. Bar grate Certified with Load classification of Medium duty. Bar grating: not recommended for forklift traffic. Visit www.NSF.org