

KUSEL CLASSIC FLOOR TROUGH 6" SCH 10 OUTLET AND OPEN GRATE

| | Depth {D} | Length {L} | | | | | | |
|----|-----------|------------------|------------------|------------------|------------------|------------------|------------------|------------------|
| | | 12 | 18 | 24 | 30 | 36 | 42 | 48 |
| 12 | 4 | FT4-061-121204-O | FT4-061-121804-O | FT4-061-122404-O | FT4-061-123004-O | FT4-061-123604-O | FT4-061-124204-O | FT4-061-124804-O |
| | 10 | FT4-061-121210-O | FT4-061-121810-O | FT4-061-122410-O | FT4-061-123010-O | FT4-061-123610-O | FT4-061-124210-O | FT4-061-124810-O |
| 18 | 4 | NA | FT4-061-181804-O | FT4-061-182404-O | FT4-061-183004-O | FT4-061-183604-O | FT4-061-184204-O | FT4-061-184804-O |
| | 10 | NA | FT4-061-181810-O | FT4-061-182410-O | FT4-061-183010-O | FT4-061-183610-O | FT4-061-184210-O | FT4-061-184810-O |
| 24 | 4 | NA | NA | FT4-061-242404-O | FT4-061-243004-O | FT4-061-243604-O | FT4-061-244204-O | FT4-061-244804-O |
| | 10 | NA | NA | FT4-061-242410-O | FT4-061-243010-O | FT4-061-243610-O | FT4-061-244210-O | FT4-061-244810-O |

Classic Floor Trough Body

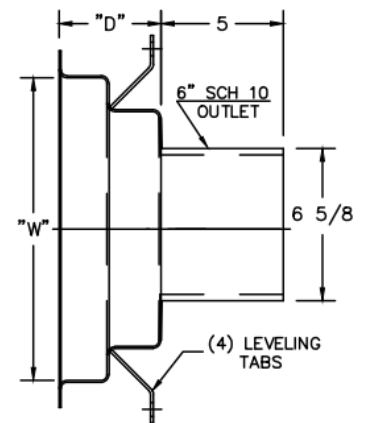
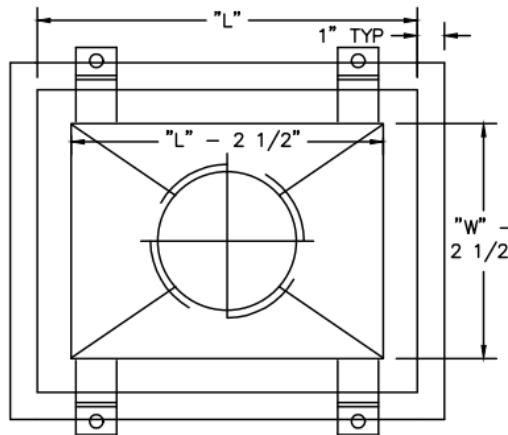
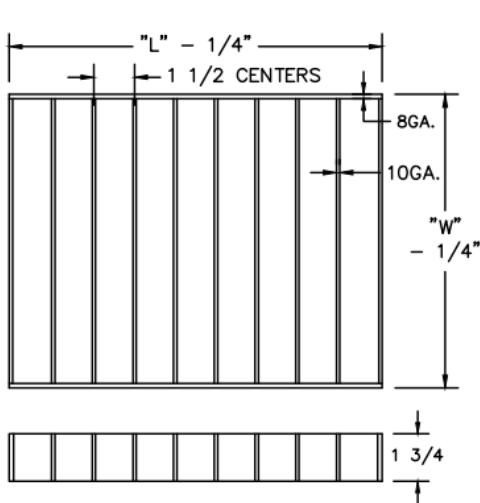
Width: "W" (Grate Opening)
 Length: "L" (Grate Opening)
 Depth: "D"
 Outlet: 6" Sch 10
 Setting Tabs: 4 Tabs (2 per side)
 Finish: Standard Industrial
 Material: 14 GA T304 Stainless Steel

Open Grating:

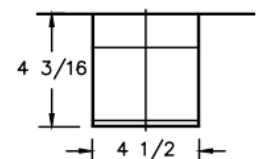
10 GA Bearing Bars on 1 1/2" Centers
 8 GA Side Banding Bars
 Continuous Welds

Outlet Strainer: (Optional)

All Strainers Have 1/8" Diameter Holes
 Strainer Part Number: 12-09-3799



6" OUTLET STRAINER



 (Add -S to the Part Number for the optional Outlet Strainer)

6" Outlet Strainer: 12-09-3799 (if ordered separately)

When submitting this request please include the following information in your email:

Your Name Contact Info Project Name Location Any special request