

KUSEL CLASSIC FLOOR TROUGH 4" SCH 40 OUTLET AND CHANNEL GRATE

	Depth {D}	Length {L}							
		12	18	24	30	36	42	48	
Width {W}	12	4	FT4-044-121204-C	FT4-044-121804-C	FT4-044-122404-C	FT4-044-123004-C	FT4-044-123604-C	FT4-044-124204-C	FT4-044-124804-C
		10	FT4-044-121210-C	FT4-044-121810-C	FT4-044-122410-C	FT4-044-123010-C	FT4-044-123610-C	FT4-044-124210-C	FT4-044-124810-C
	18	4	NA	FT4-044-181804-C	FT4-044-182404-C	FT4-044-183004-C	FT4-044-183604-C	FT4-044-184204-C	FT4-044-184804-C
		10	NA	FT4-044-181810-C	FT4-044-182410-C	FT4-044-183010-C	FT4-044-183610-C	FT4-044-184210-C	FT4-044-184810-C
	24	4	NA	NA	FT4-044-242404-C	FT4-044-243004-C	FT4-044-243604-C	FT4-044-244204-C	FT4-044-244804-C
		10	NA	NA	FT4-044-242410-C	FT4-044-243010-C	FT4-044-243610-C	FT4-044-244210-C	FT4-044-244810-C

Classic Floor Trough Body

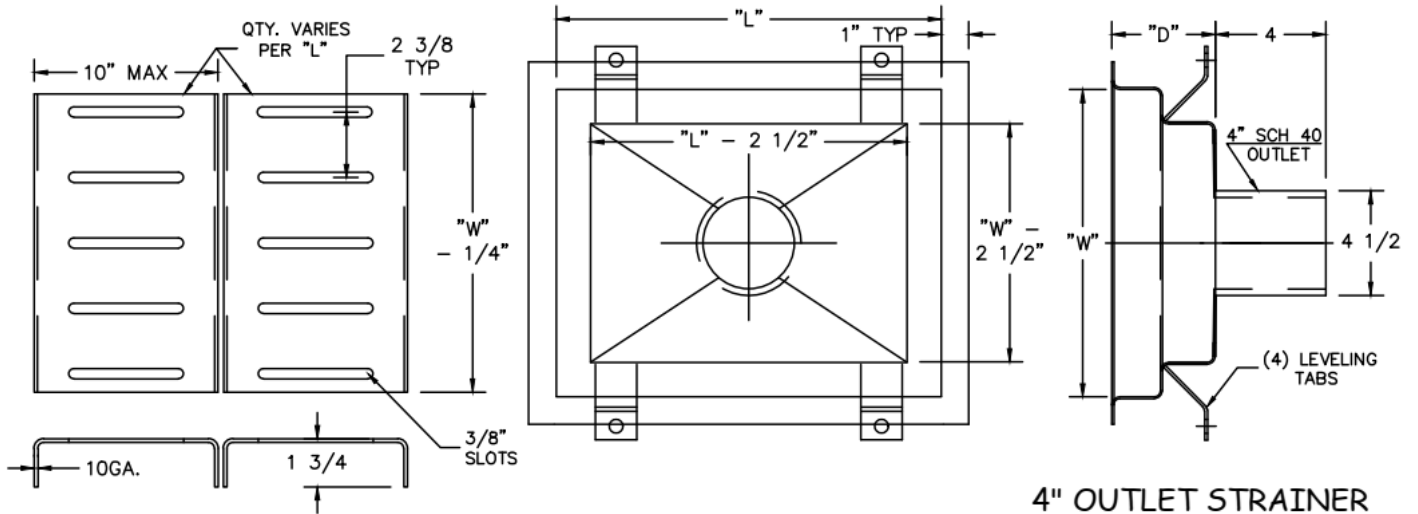
Width: "W" (Grate Opening)
 Length: "L" (Grate Opening)
 Depth: "D"
 Outlet: 4" Sch 40
 Setting Tabs: 4 Tabs (2 per side)
 Finish: Standard Industrial
 Material: 14 GA T304 Stainless Steel

Channel Grating:

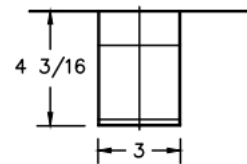
10 GA Formed Channel
 3/8" Slots on 2-3/8" Centers

Outlet Strainer: (Optional)

All Strainers Have 1/8" Diameter Holes
 Strainer Part Number: 12-09-951



4" OUTLET STRAINER



 (Add -S to the Part Number for the optional Outlet Strainer)
 6" Outlet Strainer: 12-09-951 (if ordered separately)

When submitting this request please include the following information in your email:
 Your Name Contact Info Project Name Location Any special request