

KUSEL CLASSIC TRENCH DRAINS

T304 Stainless Steel 12 Gauge Body shipped completely welded
Standard Industrial Finish, Welds Sandblasted
Shallow End Depth (C) of 3 5/8 Inches with Two (2) Caps
Pair of Setting Tabs located every 24 inches
"V" Trough Type Sloped of 1/4" per foot (or 1/8" per foot)
Two options for grating

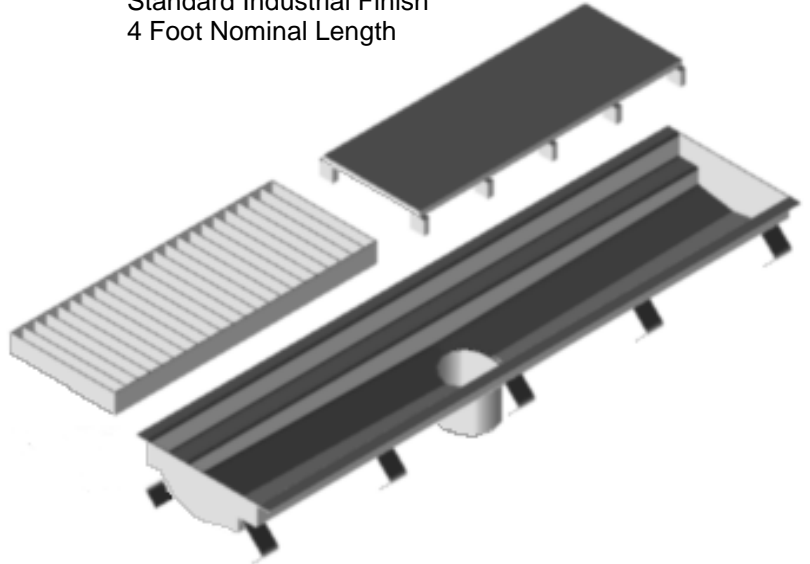
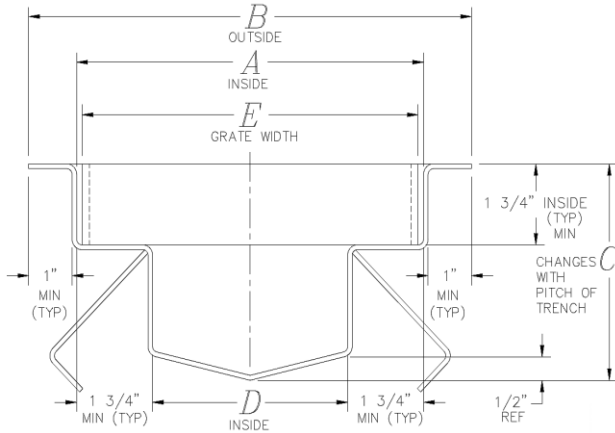


Open Slot Grate

T304 Stainless Steel
10 GA Bearing Bars on 1 1/2" Centers
8 GA Side Banding Bars
Continuous Welds
Standard Industrial Finish
4 Foot Nominal Length

Solid Plate Grating

T304 Stainless Steel
1/2 Inch Solid Plate
1/2 Inch Drain Gap
Continuous Welded Feet
Standard Industrial Finish
4 Foot Nominal Length



| Overall Width (B) | Grate Width (E) | Trough Width (D) | Outlet Location | Sch 40 Outlet | Grating Style | 4 ft | 8 ft | 12 ft | 16 ft | 20 ft | 24 ft |
|-------------------|-----------------|------------------|-----------------|---------------|---------------|---------------------------------|------------------------|------------------------|------------------------|------------------------|------------------------|
| 9.25 | 6.75 | 3.5 | Center | 3" | Solid | TD4V09DC-034-04Z03JD-S | TD4V09DC-034-08Z03JD-S | TD4V09DC-034-12Z03JD-S | TD4V09DC-034-16Z03JB-S | TD4V09DC-034-20Z03JB-S | TD4V09DC-034-24Z03JB-S |
| 9.25 | 6.75 | 3.5 | Center | 3" | Open | TD4V09DC-034-04Z03JD-O | TD4V09DC-034-08Z03JD-O | TD4V09DC-034-12Z03JD-O | TD4V09DC-034-16Z03JB-O | TD4V09DC-034-20Z03JB-O | TD4V09DC-034-24Z03JB-O |
| 9.25 | 6.75 | 3.5 | End Bttm | 3" | Solid | TD4V09DE-034-04Z03JD-S | TD4V09DE-034-08Z03JB-S | TD4V09DE-034-12Z03JB-S | NA | NA | NA |
| 9.25 | 6.75 | 3.5 | End Bttm | 3" | Open | TD4V09DE-034-04Z03JD-O | TD4V09DE-034-08Z03JB-O | TD4V09DE-034-12Z03JB-O | NA | NA | NA |
| 12 | 9.5 | 6.25 | Center | 4" | Solid | TD4V12ZC-044-04Z03JD-S | TD4V12ZC-044-08Z03JD-S | TD4V12ZC-044-12Z03JD-S | TD4V12ZC-044-16Z03JD-S | TD4V12ZC-044-20Z03JD-S | TD4V12ZC-044-24Z03JD-S |
| 12 | 9.5 | 6.25 | Center | 4" | Open | TD4V12ZC-044-04Z03JD-O | TD4V12ZC-044-08Z03JD-O | TD4V12ZC-044-12Z03JD-O | TD4V12ZC-044-16Z03JD-O | TD4V12ZC-044-20Z03JD-O | TD4V12ZC-044-24Z03JD-O |
| 12 | 9.5 | 6.25 | End Bttm | 4" | Solid | TD4V12ZE-044-04Z03JD-S | TD4V12ZE-044-08Z03JD-S | TD4V12ZE-044-12Z03JD-S | TD4V12ZE-044-16Z03JD-S | TD4V12ZE-044-20Z03JB-S | TD4V12ZE-044-24Z03JB-S |
| 12 | 9.5 | 6.25 | End Bttm | 4" | Open | TD4V12ZE-044-04Z03JD-O | TD4V12ZE-044-08Z03JD-O | TD4V12ZE-044-12Z03JD-O | TD4V12ZE-044-16Z03JD-O | TD4V12ZE-044-20Z03JB-O | TD4V12ZE-044-24Z03JB-O |
| 14.5 | 12 | 8.75 | Center | 6" | Solid | TD4V14HC-064-04Z03JD-S | TD4V14HC-064-08Z03JD-S | TD4V14HC-064-12Z03JD-S | TD4V14HC-064-16Z03JD-S | TD4V14HC-064-20Z03JD-S | TD4V14HC-064-24Z03JD-S |
| 14.5 | 12 | 8.75 | Center | 6" | Open | TD4V14HC-064-04Z03JD-O | TD4V14HC-064-08Z03JD-O | TD4V14HC-064-12Z03JD-O | TD4V14HC-064-16Z03JD-O | TD4V14HC-064-20Z03JD-O | TD4V14HC-064-24Z03JD-O |
| 14.5 | 12 | 8.75 | End Bttm | 6" | Solid | TD4V14HE-064-04Z03JD-S | TD4V14HE-064-08Z03JD-S | TD4V14HE-064-12Z03JD-S | TD4V14HE-064-16Z03JD-S | TD4V14HE-064-20Z03JD-S | TD4V14HE-064-24Z03JD-S |
| 14.5 | 12 | 8.75 | End Bttm | 6" | Open | TD4V14HE-064-04Z03JD-O | TD4V14HE-064-08Z03JD-O | TD4V14HE-064-12Z03JD-O | TD4V14HE-064-16Z03JD-O | TD4V14HE-064-20Z03JD-O | TD4V14HE-064-24Z03JD-O |
| | | | | | | Drains with 1/8" per foot slope | | | | | |

NSF Certified accordance to ASME A112.6.3. Solid cover Certified with load classification of Special duty. Bar grate Certified with Load classification of Medium duty. Bar grating: not recommended for forklift traffic. Visit www.NSF.org