

KUSEL CLASSIC FLOOR TROUGH 6" SCH 10 OUTLET AND CHANNEL GRATE

	Depth {D}	Length {L}						
		12	18	24	30	36	42	48
12	4	FT4-061-121204-C	FT4-061-121804-C	FT4-061-122404-C	FT4-061-123004-C	FT4-061-123604-C	FT4-061-124204-C	FT4-061-124804-C
	10	FT4-061-121210-C	FT4-061-121810-C	FT4-061-122410-C	FT4-061-123010-C	FT4-061-123610-C	FT4-061-124210-C	FT4-061-124810-C
18	4	NA	FT4-061-181804-C	FT4-061-182404-C	FT4-061-183004-C	FT4-061-183604-C	FT4-061-184204-C	FT4-061-184804-C
	10	NA	FT4-061-181810-C	FT4-061-182410-C	FT4-061-183010-C	FT4-061-183610-C	FT4-061-184210-C	FT4-061-184810-C
24	4	NA	NA	FT4-061-242404-C	FT4-061-243004-C	FT4-061-243604-C	FT4-061-244204-C	FT4-061-244804-C
	10	NA	NA	FT4-061-242410-C	FT4-061-243010-C	FT4-061-243610-C	FT4-061-244210-C	FT4-061-244810-C

Classic Floor Trough Body

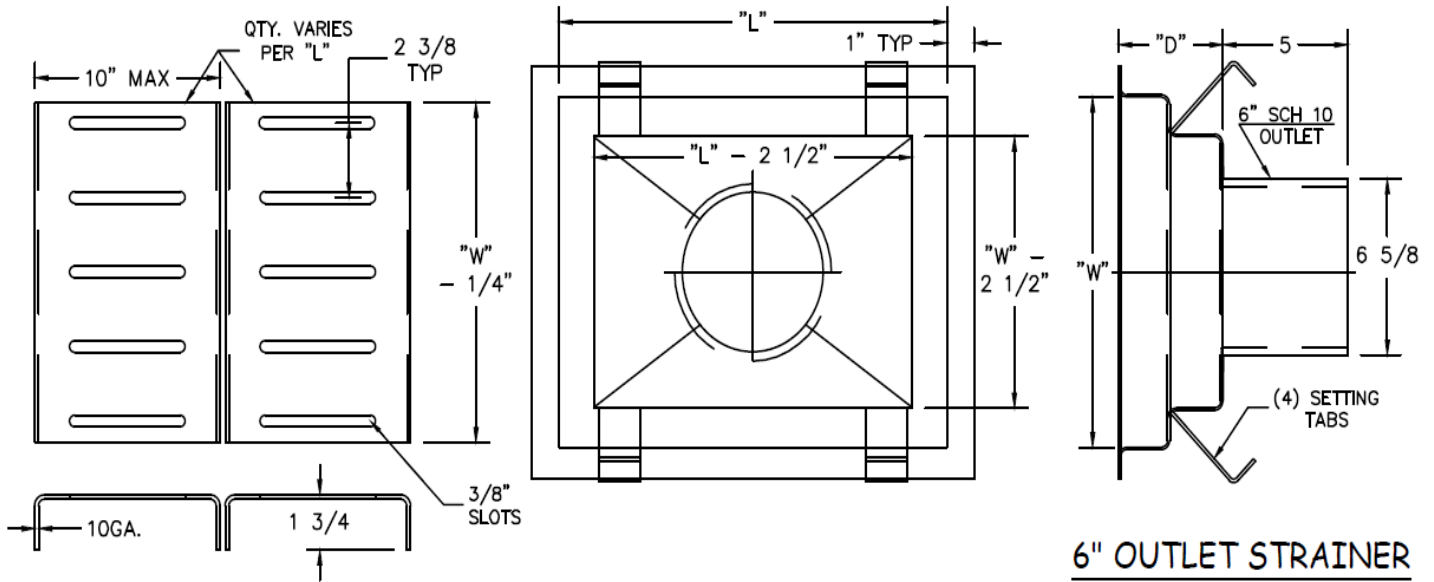
Width: "W" (Grate Opening)
 Length: "L" (Grate Opening)
 Depth: "D"
 Outlet: 6" Sch 10
 Setting Tabs: 4 Tabs (2 per side)
 Finish: Standard Industrial
 Material: 14 GA T304 Stainless Steel

Channel Grating:

10 GA Formed Channel
 3/8" Slots on 2-3/8" Centers

Outlet Strainer: (Optional)

All Strainers Have 1/8" Diameter Holes
 Strainer Part Number: 12-09-3799



 (Add -S to the Part Number for the optional Outlet Strainer)
 6" Outlet Strainer: 12-09-3799 (if ordered separately)

When submitting this request please include the following information in your email:
 Your Name Contact Info Project Name Location Any special request