

KUSEL CLASSIC FLOOR TROUGH 6" SCH 10 OUTLET AND OPEN GRATE

	Depth {D}	Length {L}						
		12	18	24	30	36	42	48
12	4	FT4-061-121204-O	FT4-061-121804-O	FT4-061-122404-O	FT4-061-123004-O	FT4-061-123604-O	FT4-061-124204-O	FT4-061-124804-O
	10	FT4-061-121210-O	FT4-061-121810-O	FT4-061-122410-O	FT4-061-123010-O	FT4-061-123610-O	FT4-061-124210-O	FT4-061-124810-O
18	4	NA	FT4-061-181804-O	FT4-061-182404-O	FT4-061-183004-O	FT4-061-183604-O	FT4-061-184204-O	FT4-061-184804-O
	10	NA	FT4-061-181810-O	FT4-061-182410-O	FT4-061-183010-O	FT4-061-183610-O	FT4-061-184210-O	FT4-061-184810-O
24	4	NA	NA	FT4-061-242404-O	FT4-061-243004-O	FT4-061-243604-O	FT4-061-244204-O	FT4-061-244804-O
	10	NA	NA	FT4-061-242410-O	FT4-061-243010-O	FT4-061-243610-O	FT4-061-244210-O	FT4-061-244810-O

Classic Floor Trough Body

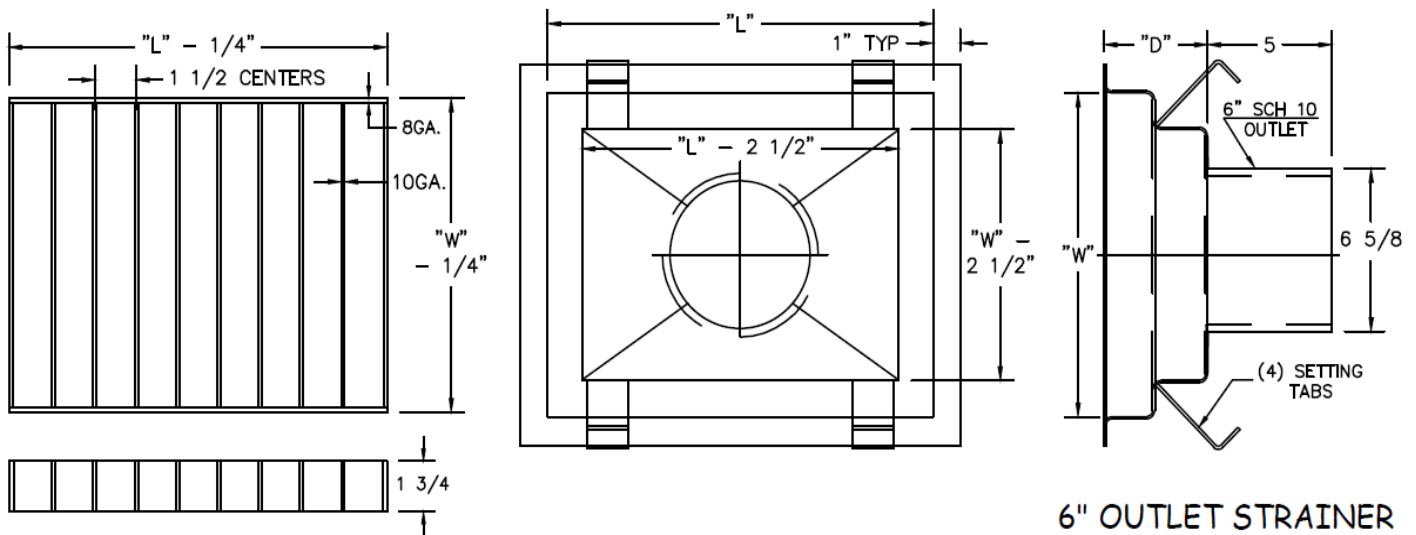
Width: "W" (Grate Opening)
 Length: "L" (Grate Opening)
 Depth: "D"
 Outlet: 6" Sch 10
 Setting Tabs: 4 Tabs (2 per side)
 Finish: Standard Industrial
 Material: 14 GA T304 Stainless Steel

Open Grating:

10 GA Bearing Bars on 1 1/2" Centers
 8 GA Side Banding Bars
 Continuous Welds

Outlet Strainer: (Optional)

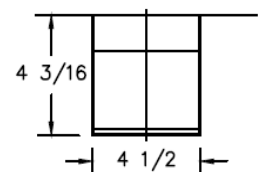
All Strainers Have 1/8" Diameter Holes
 Strainer Part Number: 12-09-3799



6" OUTLET STRAINER

 (Add -S to the Part Number for the optional Outlet Strainer)

6" Outlet Strainer: 12-09-3799 (if ordered separately)



When submitting this request please include the following information in your email:

Your Name	Contact Info	Project Name	Location	Any special request
-----------	--------------	--------------	----------	---------------------