



KUSEL CLASSIC FLOOR TROUGH 4" SCH 40 OUTLET AND OPEN GRATE

	Depth {D}	Length {L}							
		12	18	24	30	36	42	48	
Width {W}	12	4	FT4-044-121204-O	FT4-044-121804-O	FT4-044-122404-O	FT4-044-123004-O	FT4-044-123604-O	FT4-044-124204-O	FT4-044-124804-O
		10	FT4-044-121210-O	FT4-044-121810-O	FT4-044-122410-O	FT4-044-123010-O	FT4-044-123610-O	FT4-044-124210-O	FT4-044-124810-O
	18	4	NA	FT4-044-181804-O	FT4-044-182404-O	FT4-044-183004-O	FT4-044-183604-O	FT4-044-184204-O	FT4-044-184804-O
		10	NA	FT4-044-181810-O	FT4-044-182410-O	FT4-044-183010-O	FT4-044-183610-O	FT4-044-184210-O	FT4-044-184810-O
	24	4	NA	NA	FT4-044-242404-O	FT4-044-243004-O	FT4-044-243604-O	FT4-044-244204-O	FT4-044-244804-O
		10	NA	NA	FT4-044-242410-O	FT4-044-243010-O	FT4-044-243610-O	FT4-044-244210-O	FT4-044-244810-O

Classic Floor Trough Body

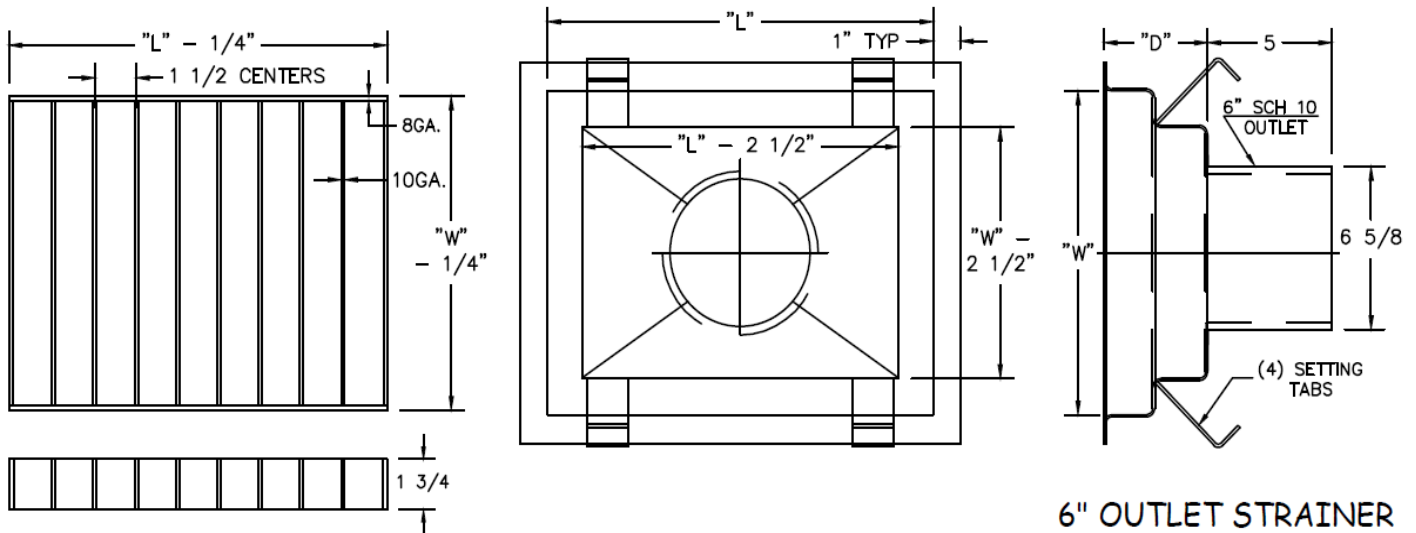
Width: "W" (Grate Opening)
 Length: "L" (Grate Opening)
 Depth: "D"
 Outlet: 4" Sch 40
 Setting Tabs: 4 Tabs (2 per side)
 Finish: Standard Industrial
 Material: 14 GA T304 Stainless Steel

Open Grating:

10 GA Bearing Bars on 1 1/2" Centers
 8 GA Side Banding Bars
 Continuous Welds

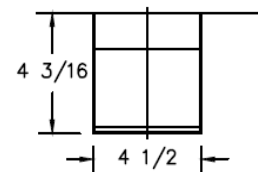
Outlet Strainer: (Optional)

All Strainers Have 1/8" Diameter Holes
 Strainer Part Number: 12-09-951



6" OUTLET STRAINER

 (Add -S to the Part Number for the optional Outlet Strainer)
 6" Outlet Strainer: 12-09-951 (if ordered separately)



When submitting this request please include the following information in your email:
 Your Name Contact Info Project Name Location Any special request