

KUSEL CLASSIC FLOOR SINK 4" SCH 40 OUTLET AND CHANNEL GRATE

	Depth {D}	Length {L}					
		12	18	24	30	36	
Width {W}	12	6	FS4-044-121206-C	FS4-044-121806-C	FS4-044-122406-C	FS4-044-123006-C	FS4-044-123606-C
		10	FS4-044-121210-C	FS4-044-121810-C	FS4-044-122410-C	FS4-044-123010-C	FS4-044-123610-C
	18	6	NA	FS4-044-181806-C	FS4-044-182406-C	FS4-044-183006-C	FS4-044-183606-C
		12	NA	FS4-044-181812-C	FS4-044-182412-C	FS4-044-183012-C	FS4-044-183612-C
		16	NA	FS4-044-181816-C	FS4-044-182416-C	FS4-044-183016-C	FS4-044-183616-C
	24	6	NA	NA	FS4-044-242406-C	FS4-044-243006-C	FS4-044-243606-C
12		NA	NA	FS4-044-242412-C	FS4-044-243012-C	FS4-044-243612-C	
22		NA	NA	FS4-044-242422-C	FS4-044-243022-C	FS4-044-243622-C	

Classic Floor Sink Body

Channel Grating:

10 GA Formed Channels
3/8" Slots on 2-3/8" Centers

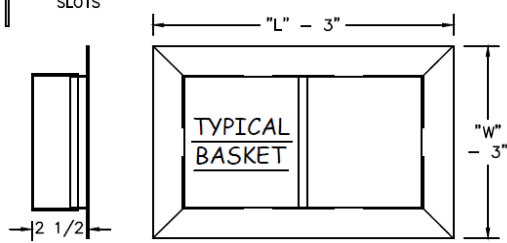
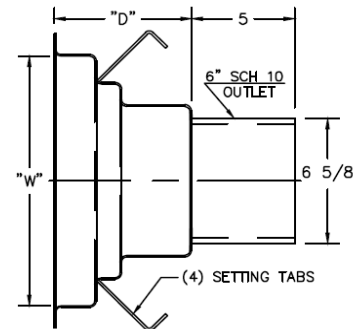
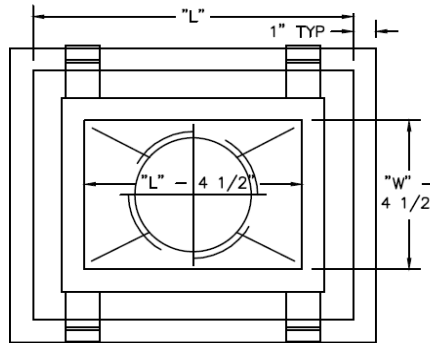
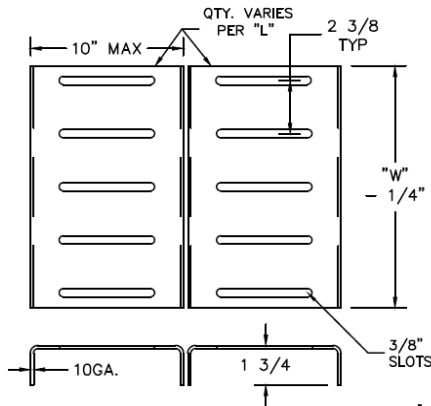
Basket: (Optional)

Perforated Body Basket
1/8" holes
2-1/2" deep

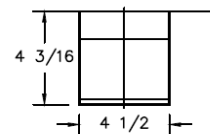
Outlet Strainer: (Optional)

Perforated Outlet Strainer - 1/8" holes

Width: "W" (Grate Opening)
Length: "L" (Grate Opening)
Depth: "D"
Outlet: 4" Sch 40
Setting Tabs: 4 Tabs (2 per side)
Finish: Standard Industrial
Material: 14 GA T304 Stainless Steel



6" OUTLET STRAINER



Sink

Basket / Strainer Options
(add to end of Part Number)

___ **Basket** **-B**

___ **Strainer** **-S**

___ **Basket & Strainer** **-Y**

Basket / Outlet Strainer for 4" Sch 40 Outlet (if ordered separately)							
		Length {L}					
		12	18	24	30	36	
Width {W}	12	Basket	12-14-276	12-14-277	12-14-278	12-14-279	12-14-280
		Strainer	12-14-308	12-14-308	12-14-308	12-14-308	12-14-308
	18	Basket	NA	12-14-281	12-14-282	12-14-283	12-14-284
		Strainer	NA	12-09-951	12-09-951	12-09-951	12-09-951
	24	Basket	NA	NA	12-14-285	12-14-286	12-14-287
		Strainer	NA	NA	12-09-951	12-09-951	12-09-951

When submitting this request please include the following information in your email:

Your Name	Contact Info	Project Name	Location	Any special request
-----------	--------------	--------------	----------	---------------------