



# KUSEL CLASSIC FLOOR SINK 4" SCH 40 OUTLET AND OPEN GRATE

	Depth {D}	Length {L}					
		12	18	24	30	36	
Width {W}	12	6	FS4-044-121206-O	FS4-044-121806-O	FS4-044-122406-O	FS4-044-123006-O	FS4-044-123606-O
		10	FS4-044-121210-O	FS4-044-121810-O	FS4-044-122410-O	FS4-044-123010-O	FS4-044-123610-O
	18	6	NA	FS4-044-181806-O	FS4-044-182406-O	FS4-044-183006-O	FS4-044-183606-O
		12	NA	FS4-044-181812-O	FS4-044-182412-O	FS4-044-183012-O	FS4-044-183612-O
		16	NA	FS4-044-181816-O	FS4-044-182416-O	FS4-044-183016-O	FS4-044-183616-O
	24	6	NA	NA	FS4-044-242406-O	FS4-044-243006-O	FS4-044-243606-O
12		NA	NA	FS4-044-242412-O	FS4-044-243012-O	FS4-044-243612-O	
22		NA	NA	FS4-044-242422-O	FS4-044-243022-O	FS4-044-243622-O	

**Classic Floor Sink Body**

**Open Grating:**

Width: "W" (Grate Opening)  
 Length: "L" (Grate Opening)  
 Depth: "D"  
 Outlet: 4" Sch 40  
 Setting Tabs: 4 Tabs (2 per side)  
 Finish: Standard Industrial  
 Material: 14 GA T304 Stainless Steel

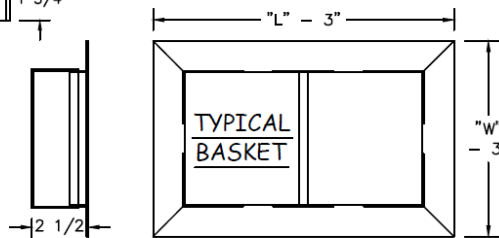
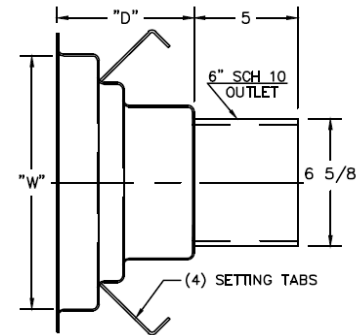
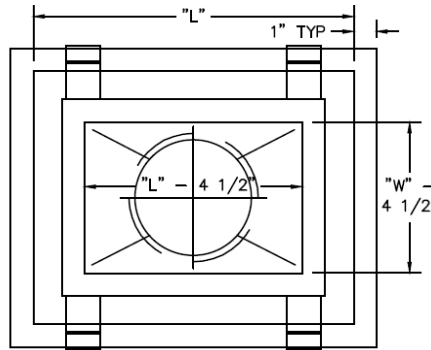
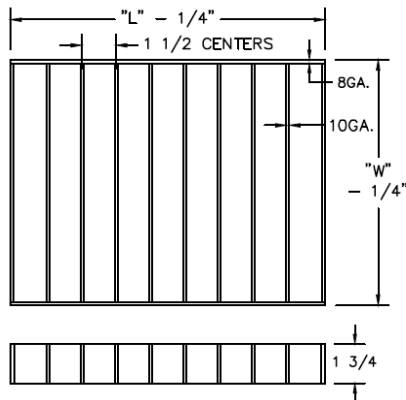
10 GA Bearing Bars on 1-1/2" centers  
 8 GA Side Banding Bars  
 Continuous Weld

**Basket: (Optional)**

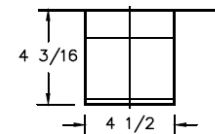
Perforated Body Basket  
 1/8" holes  
 2-1/2" deep

**Outlet Strainer: (Optional)**

Perforated Outlet Strainer - 1/8" holes



**6" OUTLET STRAINER**



**Sink**

# \_\_\_\_\_

**Basket / Strainer Options**  
(add to end of Part Number)

\_\_\_ **Basket**                    **-B**

\_\_\_ **Strainer**                    **-S**

\_\_\_ **Basket & Strainer**       **-Y**

Basket / Outlet Strainer for 4" Sch 40 Outlet (if ordered separately)							
		Length {L}					
		12	18	24	30	36	
Width {W}	12	Basket	12-14-276	12-14-277	12-14-278	12-14-279	12-14-280
		Strainer	12-14-308	12-14-308	12-14-308	12-14-308	12-14-308
	18	Basket	NA	12-14-281	12-14-282	12-14-283	12-14-284
		Strainer	NA	12-09-951	12-09-951	12-09-951	12-09-951
	24	Basket	NA	NA	12-14-285	12-14-286	12-14-287
		Strainer	NA	NA	12-09-951	12-09-951	12-09-951

When submitting this request please include the following information in your email:

Your Name	Contact Info	Project Name	Location
			Any special request