

# KUSEL CLASSIC TRENCH DRAINS

T304 Stainless Steel 12 Gauge Body shipped completely welded  
 Standard Industrial Finish, Welds Sandblasted  
 Shallow End Depth (C) of 3 5/8 Inches with Two (2) Caps  
 Pair of Setting Tabs located every 24 inches  
 "V" Trough Type Sloped of 1/4" per foot (or 1/8" per foot)  
*Two options for grating*

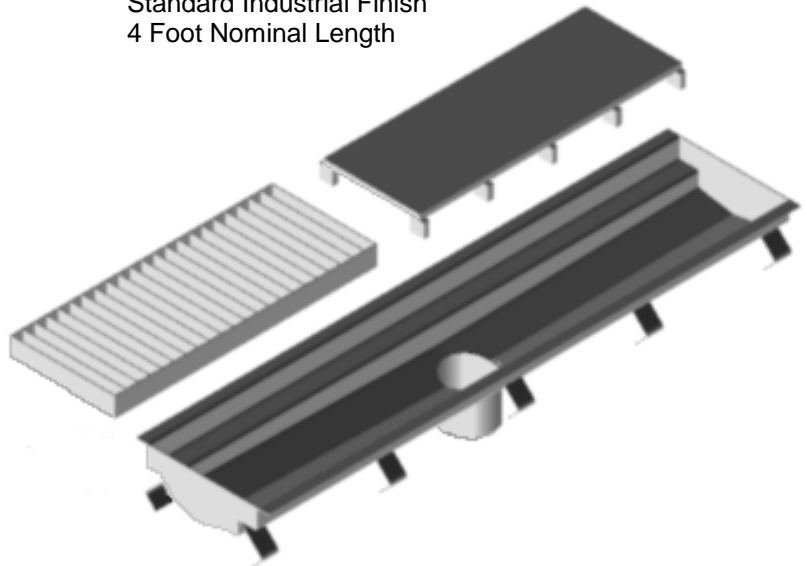
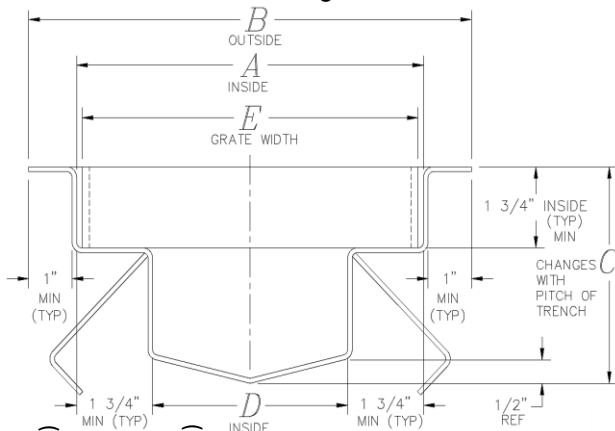


### Open Slot Grate

T304 Stainless Steel  
 10 GA Bearing Bars on 1 1/2" Centers  
 8 GA Side Banding Bars  
 Continuous Welds  
 Standard Industrial Finish  
 4 Foot Nominal Length

### Solid Plate Grating

T304 Stainless Steel  
 1/2 Inch Solid Plate  
 1/2 Inch Drain Gap  
 Continuous Welded Feet  
 Standard Industrial Finish  
 4 Foot Nominal Length



Overall Width (B)	Grate Width (E)	Trough Width (D)	Outlet Location	Sch 40 Outlet	Grating Style	4 ft	8 ft	12 ft	16 ft	20 ft	24 ft
9.25	6.75	3.5	Center	3"	Solid	22-09-4560	22-09-4561	22-09-4562	22-09-4563*	22-09-4564*	22-09-4565*
9.25	6.75	3.5	Center	3"	Open	22-09-4593	22-09-4594	22-09-4595	22-09-4596*	22-09-4597*	22-09-4598*
9.25	6.75	3.5	End Btm	3"	Solid	22-09-4566	22-09-4567*	22-09-4568*	NA	NA	NA
9.25	6.75	3.5	End Btm	3"	Open	22-09-4599	22-09-4600*	22-09-4601*	NA	NA	NA
12	9.5	6.25	Center	4"	Solid	22-09-4569	22-09-4570	22-09-4571	22-09-4572	22-09-4573	22-09-4574
12	9.5	6.25	Center	4"	Open	22-09-4602	22-09-4603	22-09-4604	22-09-4605	22-09-4606	22-09-4607
12	9.5	6.25	End Btm	4"	Solid	22-09-4575	22-09-4576	22-09-4577	22-09-4578	22-09-4579*	22-09-4580*
12	9.5	6.25	End Btm	4"	Open	22-09-4608	22-09-4609	22-09-4610	22-09-4611	22-09-4612*	22-09-4613*
14.5	12	8.75	Center	6"	Solid	22-09-4581	22-09-4582	22-09-4583	22-09-4584	22-09-4585	22-09-4586
14.5	12	8.75	Center	6"	Open	22-09-4614	22-09-4615	22-09-4616	22-09-4617	22-09-4618	22-09-4619
14.5	12	8.75	End Btm	6"	Solid	22-09-4587	22-09-4588	22-09-4589	22-09-4590	22-09-4591	22-09-4592
14.5	12	8.75	End Btm	6"	Open	22-09-4620	22-09-4621	22-09-4622	22-09-4623	22-09-4624	22-09-4625

\* Drains with 1/8" per foot slope

NSF Certified accordance to ASME A112.6.3. Solid cover Certified with load classification of Special duty. Bar grate Certified with Load classification of Medium duty. Bar grating: not recommended for forklift traffic. Visit [www.NSF.org](http://www.NSF.org)