



KUSEL CLASSIC FLOOR TROUGH 6" SCH 10 OUTLET AND OPEN GRATE

		Depth {D}	Length {L}						
			12	18	24	30	36	42	48
Width {W}	12	4	22-14-454	22-14-455	22-14-456	22-14-457	22-14-458	22-14-459	22-14-460
		10	22-14-461	22-14-462	22-14-463	22-14-464	22-14-465	22-14-466	22-14-467
	18	4	NA	22-14-468	22-14-469	22-14-470	22-14-471	22-14-472	22-14-473
		10	NA	22-14-474	22-14-475	22-14-476	22-14-477	22-14-478	22-14-479
	24	4	NA	NA	22-14-480	22-14-481	22-14-482	22-14-483	22-14-484
		10	NA	NA	22-14-485	22-14-486	22-14-487	22-14-488	22-14-489

Classic Floor Trough Body

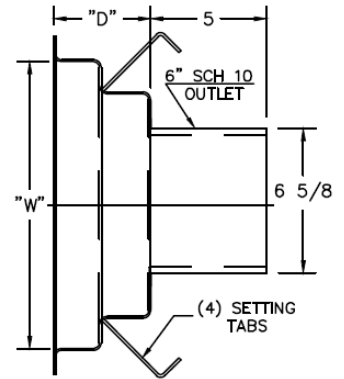
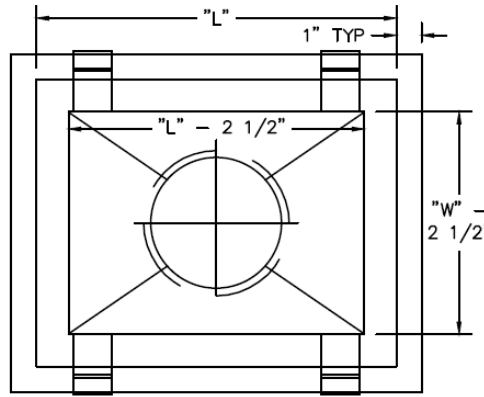
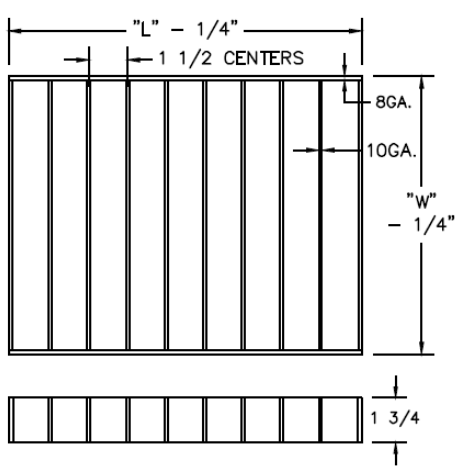
Width: "W" (Grate Opening)
 Length: "L" (Grate Opening)
 Depth: "D"
 Outlet: 6" Sch 10
 Setting Tabs: 4 Tabs (2 per side)
 Finish: Standard Industrial
 Material: 14 GA T304 S.S.

Open Grating:

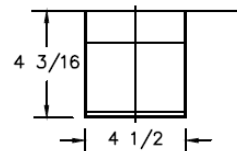
10 GA Bearing Bars on 1 1/2" Centers
 8 GA Side Banding Bars
 Continuous Welds

Outlet Strainer: (Optional)

All Strainers Have 1/8" Diameter Holes
 Strainer Part Number: 12-09-3799



6" OUTLET STRAINER



Trough: #22-14-_____

Strainer: #12-09-3799 Yes _____ No _____ (Check one)

Signature: _____

Project: _____

PO Number: _____