



KUSEL CLASSIC FLOOR TROUGH 6" SCH 10 OUTLET AND CHANNEL GRATE

		Depth {D}	Length {L}						
			12	18	24	30	36	42	48
Width {W}	12	4	22-14-418	22-14-419	22-14-420	22-14-421	22-14-422	22-14-423	22-14-424
		10	22-14-425	22-14-426	22-14-427	22-14-428	22-14-429	22-14-430	22-14-431
	18	4	NA	22-14-432	22-14-433	22-14-434	22-14-435	22-14-436	22-14-437
		10	NA	22-14-438	22-14-439	22-14-440	22-14-441	22-14-442	22-14-443
	24	4	NA	NA	22-14-444	22-14-445	22-14-446	22-14-447	22-14-448
		10	NA	NA	22-14-449	22-14-450	22-14-451	22-14-452	22-14-453

Classic Floor Trough Body

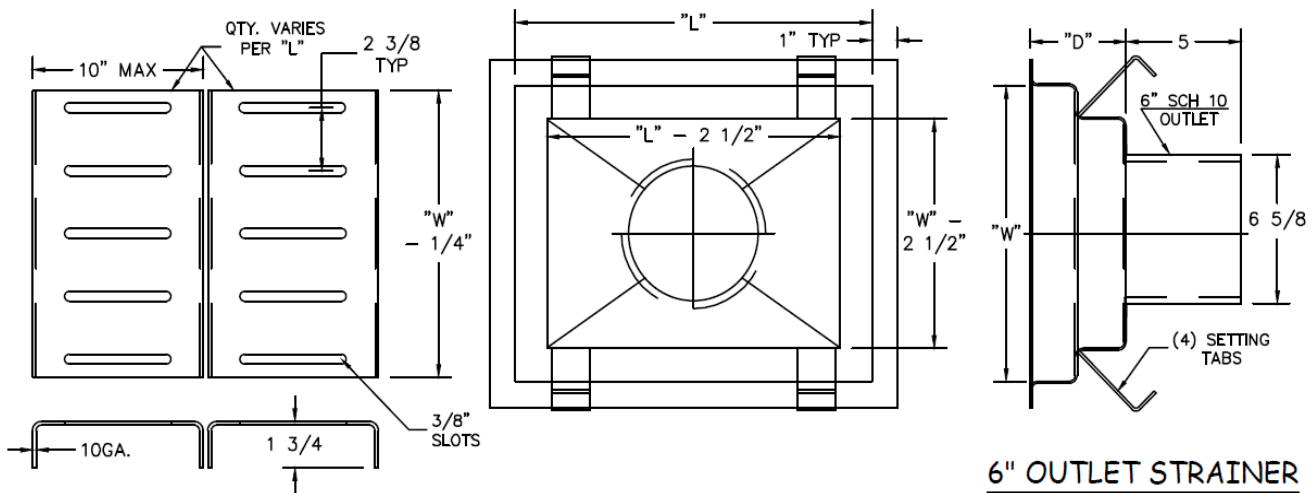
Width: "W" (Grate Opening)
 Length: "L" (Grate Opening)
 Depth: "D"
 Outlet: 6" Sch 10
 Setting Tabs: 4 Tabs (2 per side)
 Finish: Standard Industrial
 Material: 14 GA T304 S.S.

Channel Grating:

10 GA Formed Channel
 3/8" Slots on 2 3/8" Centers

Outlet Strainer: (Optional)

All Strainers Have 1/8" Diameter Holes
 Strainer Part Number: 12-09-3799



Trough: #22-14- _____

Strainer: #12-09-3799 Yes _____ No _____ (Check one)

Signature: _____

Project: _____

PO Number: _____