



KUSEL CLASSIC FLOOR TROUGH 4" SCH 40 OUTLET AND OPEN GRATE

		Depth {D}	Length {L}						
			12	18	24	30	36	42	48
Width {W}	12	4	22-14-382	22-14-383	22-14-384	22-14-385	22-14-386	22-14-387	22-14-388
		10	22-14-389	22-14-390	22-14-391	22-14-392	22-14-393	22-14-394	22-14-395
	18	4	NA	22-14-396	22-14-397	22-14-398	22-14-399	22-14-400	22-14-401
		10	NA	22-14-402	22-14-403	22-14-404	22-14-405	22-14-406	22-14-407
	24	4	NA	NA	22-14-408	22-14-409	22-14-410	22-14-411	22-14-412
		10	NA	NA	22-14-413	22-14-414	22-14-415	22-14-416	22-14-417

Classic Floor Trough Body

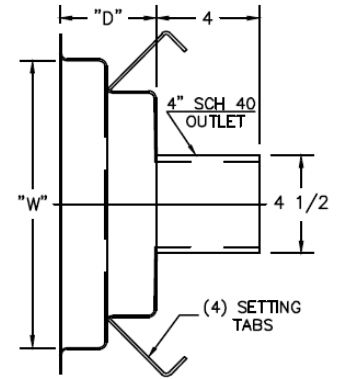
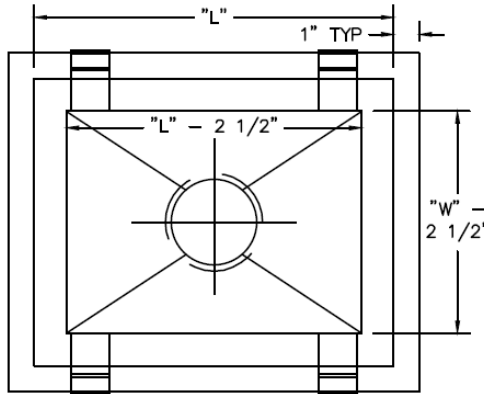
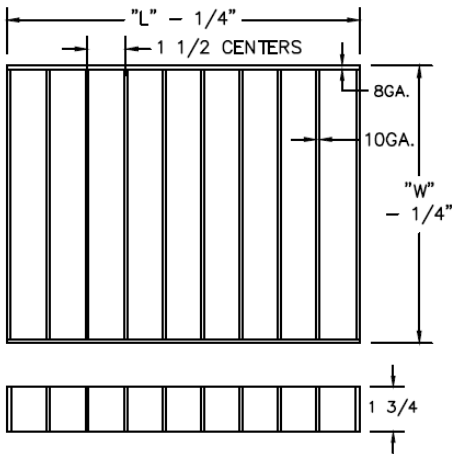
Width: "W" (Grate Opening)
 Length: "L" (Grate Opening)
 Depth: "D"
 Outlet: 4" Sch 40
 Setting Tabs: 4 Tabs (2 per side)
 Finish: Standard Industrial
 Material: 14 GA T304 S.S.

Open Grating:

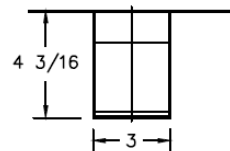
10 GA Bearing Bars on 1 1/2" Centers
 8 GA Side Banding Bars
 Continuous Welds

Outlet Strainer: (Optional)

All Strainers Have 1/8" Diameter Holes
 Strainer Part Number: 12-09-951



4" OUTLET STRAINER



Trough: #22-14-_____

Strainer: #12-09-951 Yes ___ No ___ (Check one)

Signature: _____

Project: _____

PO Number: _____