



KUSEL CLASSIC FLOOR TROUGH 4" SCH 40 OUTLET AND CHANNEL GRATE

		Depth {D}	Length {L}						
			12	18	24	30	36	42	48
Width {W}	12	4	22-14-346	22-14-347	22-14-348	22-14-349	22-14-350	22-14-351	22-14-352
		10	22-14-353	22-14-354	22-14-355	22-14-356	22-14-357	22-14-358	22-14-359
	18	4	NA	22-14-360	22-14-361	22-14-362	22-14-363	22-14-364	22-14-365
		10	NA	22-14-366	22-14-367	22-14-368	22-14-369	22-14-370	22-14-371
	24	4	NA	NA	22-14-372	22-14-373	22-14-374	22-14-375	22-14-376
		10	NA	NA	22-14-377	22-14-378	22-14-379	22-14-380	22-14-381

Classic Floor Trough Body

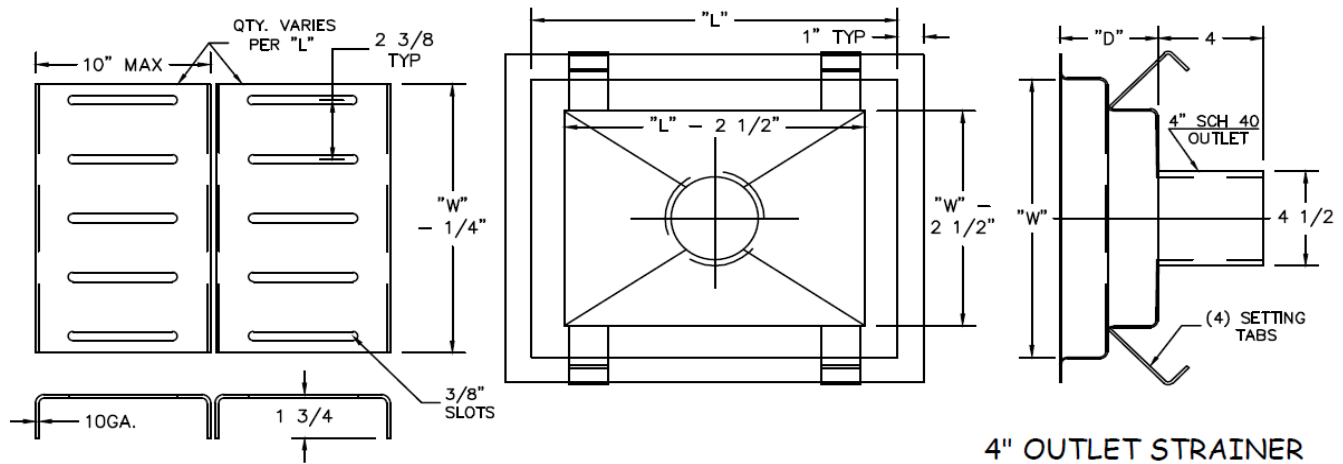
Width: "W" (Grate Opening)
 Length: "L" (Grate Opening)
 Depth: "D"
 Outlet: 4" Sch 40
 Setting Tabs: 4 Tabs (2 per side)
 Finish: Standard Industrial
 Material: 14 GA T304 S.S.

Channel Grating:

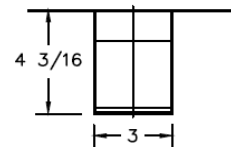
10 GA Formed Channel
 3/8" Slots on 2 3/8" Centers

Outlet Strainer: (Optional)

All Strainers Have 1/8" Diameter Holes
 Strainer Part Number: 12-09-951



4" OUTLET STRAINER



Trough: #22-14-_____

Strainer: #12-09-951 Yes ___ No ___ (Check one)

Signature: _____

Project: _____

PO Number: _____