



The curd mill

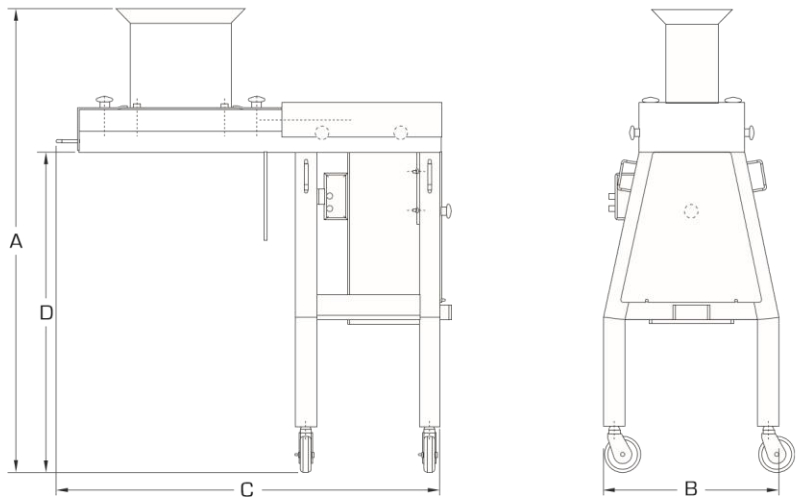
E-Z CUT CURD MILL™



The EBR curd mill is tailor-made to the needs of the cheese industry. Its custom design and rugged stainless steel construction makes it the most efficient and easy-to-clean machine on the market.

Standard features

- **New weight balance**
- Better positioning including friction tips
- Superior milling
- Square curd shape
- Easy to clean
- All stainless steel
- Left or right feeding
- No bushing or gear
- No tilt mechanism
- Reduced power requirement
- Quick change cutting carriage
- Two capacities:
5,500 Lbs/hr and 11,000 Lbs/hr



Features	Model EBR-7-MF	Model EBR-11-MF
----------	-------------------	--------------------

Height (A):	56 1/2" <i>*Based on (D) being 37 1/2"</i>	56 1/2" <i>*Based on (D) being 37 1/2"</i>
Width (B):	24 1/2"	24 1/2"
Depth (C):	53 1/2"	66 1/4"
Discharge Height (D):	To be determined	To be determined
Voltage:	As request	As request
Horse Power:	1 HP	1.5 HP
Capacity:	5,500 Lbs/hr	11,000 Lbs/hr
Curd Size:	As request	As request
Funnel dimensions:	11" x 17 1/2"	14 1/2" x 23 3/4"



Distributed in the US by
Kusel Equipment Co.
 820 West Street
 Watertown, WI 53094
 920-261-4112
www.KuselEquipment.com

